



Ref : PR0002689

AIR SENSOR USER MANUAL

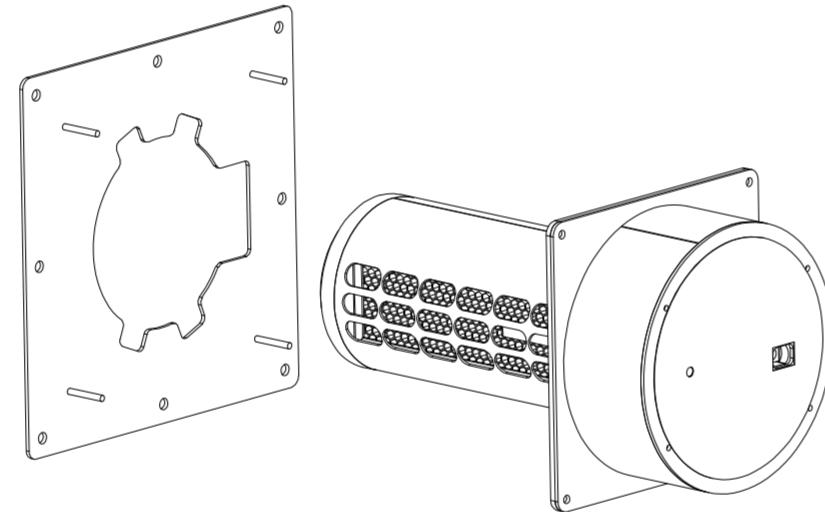
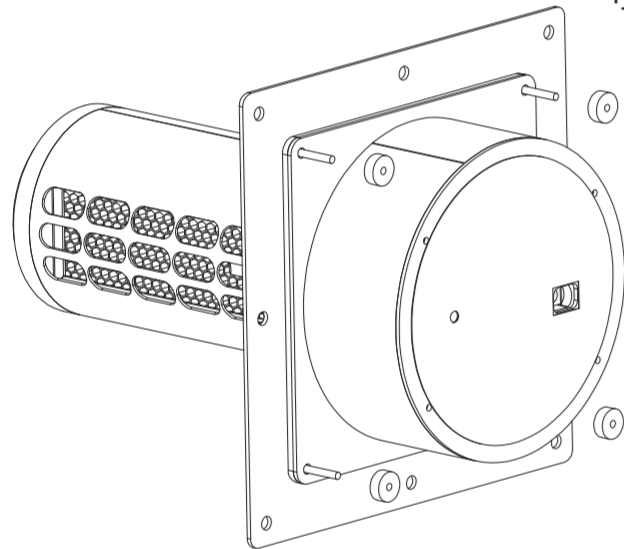
MonaAir

Anglais / English

MAINTENANCE METHOD

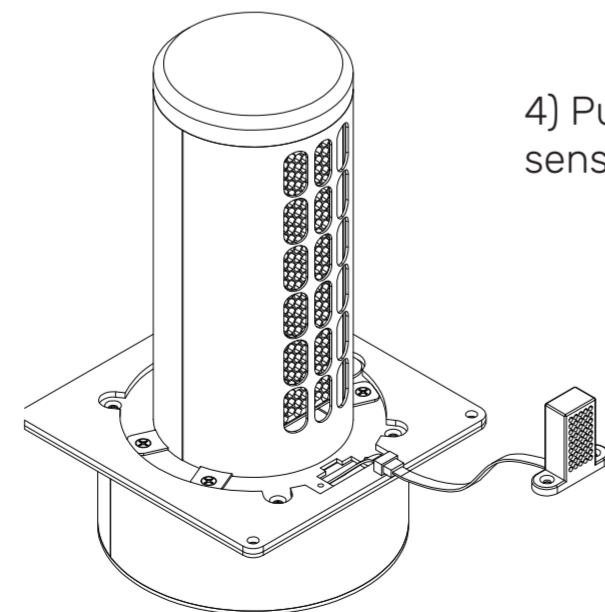
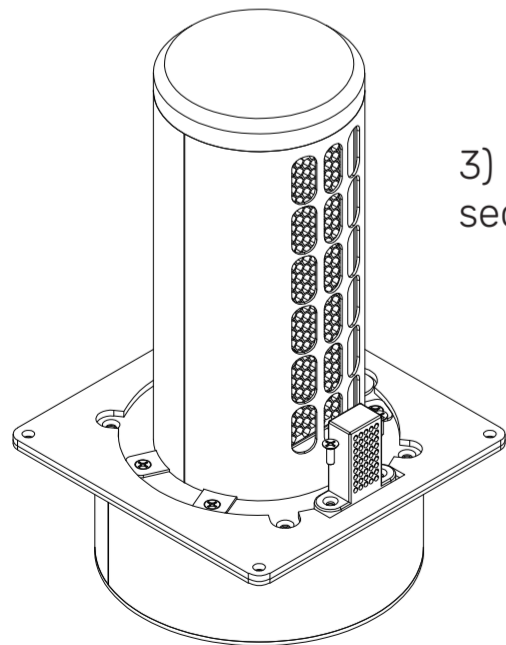
1) Remove the screws.

2) Remove the Defender⁷ module.



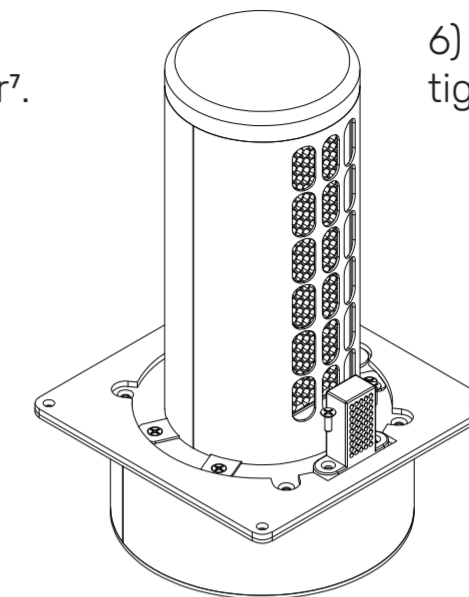
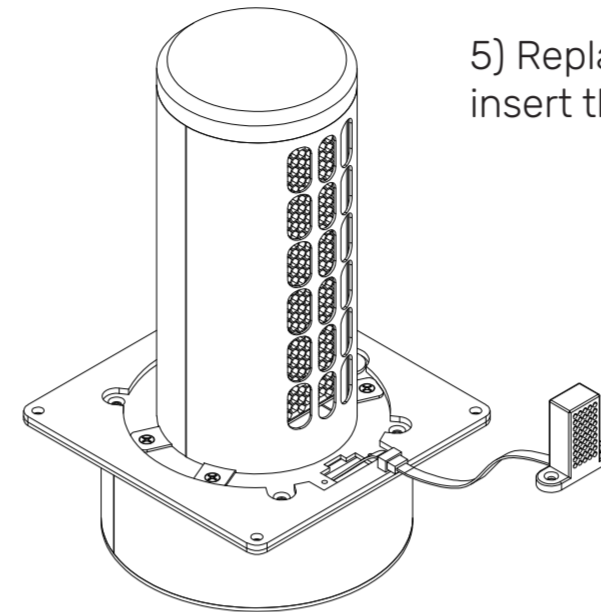
3) Remove the screws securing the sensor.

4) Pull out the cable from the sensor and remove the connector.



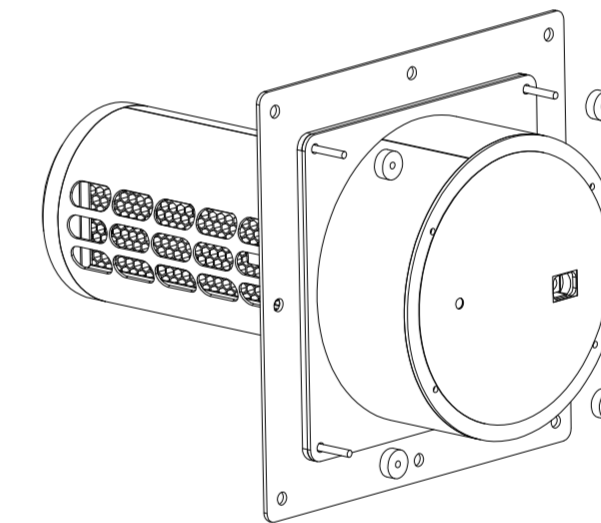
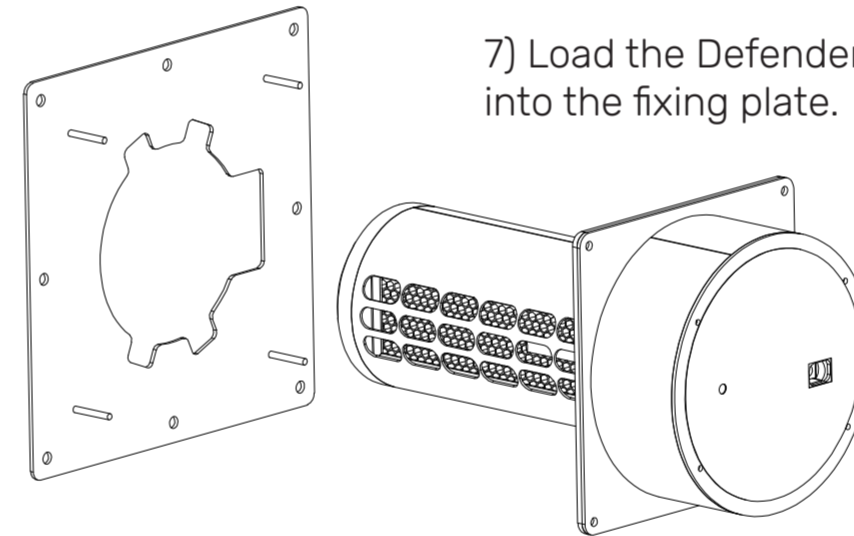
5) Replace the sensor and insert the cables into the Defender⁷.

6) Secure the sensor and tighten the screws.



7) Load the Defender⁷ back into the fixing plate.

8) Replace the screws.



GPS Monaco Group SAM
5 Rue du Gabian - Le Triton Building,
5th Floor, 98000 - Monaco

sav@gps-group.fr



Made in China
Distributed by GPS Monaco Group SAM

www.MonaAir.com