



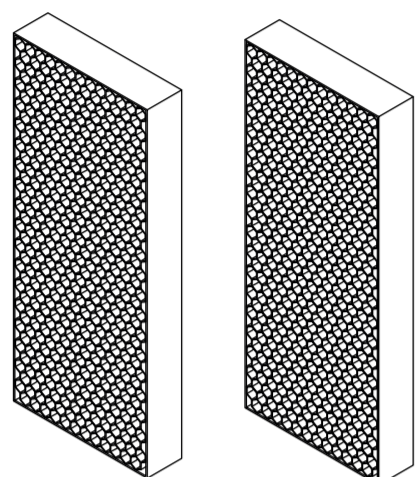
Ref : PR0002688

USER MANUAL FOR MAINTENANCE KIT

MonaAir

Anglais / English

1. PRESENTATION OF THE ELEMENTS



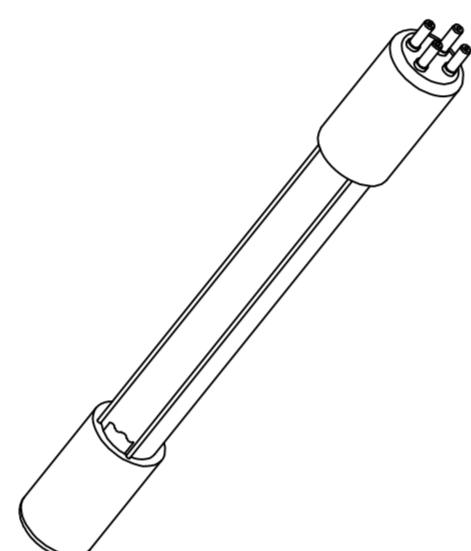
CATALYTIC CONVERTER FILTER :

In the presence of UV radiation, nanoscale photocatalytic materials, mainly titanium dioxide, generate positively charged "holes" and negatively charged oxygen ions on the surface of the titanium dioxide. When these "holes" come into contact with the water vapor present in the air, they react to form a very powerful alkaline radical, known as the "hydroxyl radical", which is capable of decomposing formaldehyde and benzene into water and carbon dioxide.

At the same time, negative oxygen ions react with oxygen in the air to produce active oxygen, which is capable of decomposing the cell membrane of bacteria and oxidizing virus proteins.

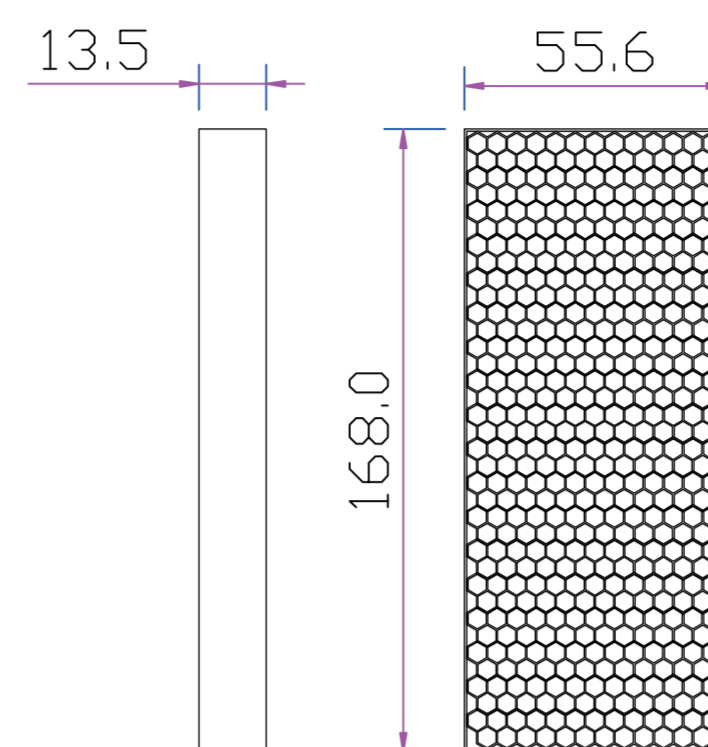
UV-C LAMP :

The produced UV-C rays destroy the molecular structure of DNA or RNA in microbial organisms' cells, leading to their productive or regenerative death. As a result, the air is sterilized and disinfected.

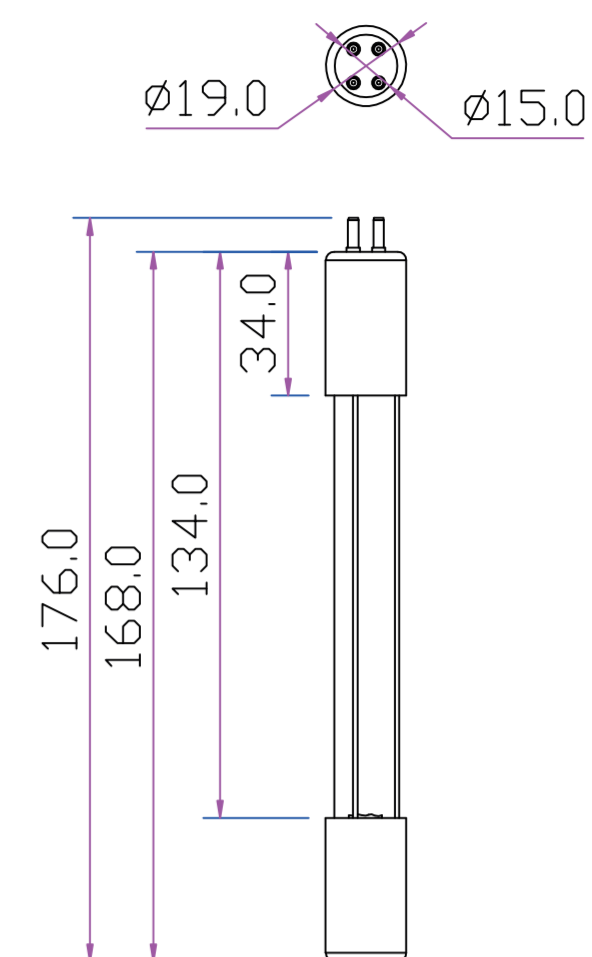


2. TECHNICAL SPECIFICATIONS

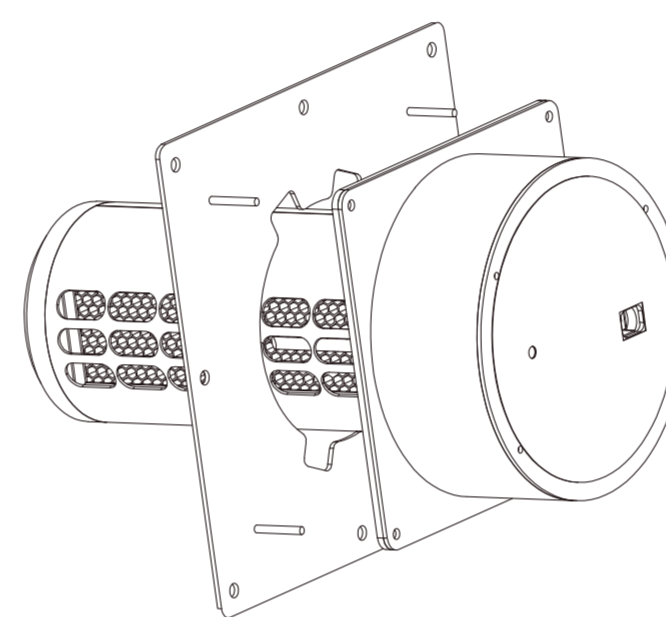
CATALYTIC FILTER :



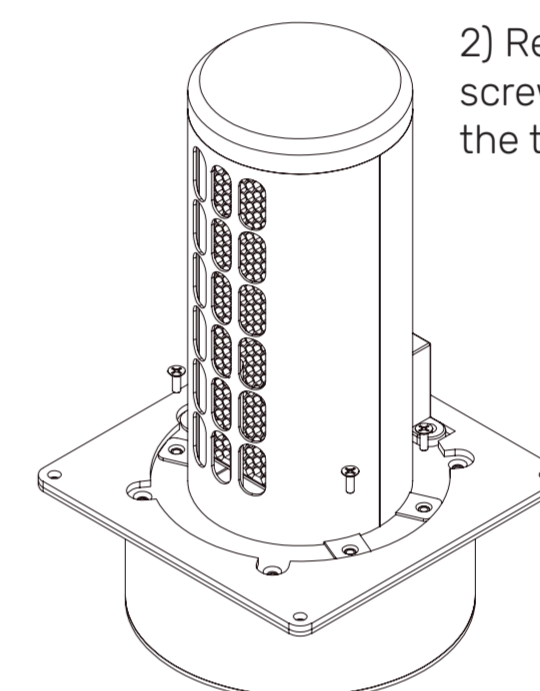
UV-C LAMP :



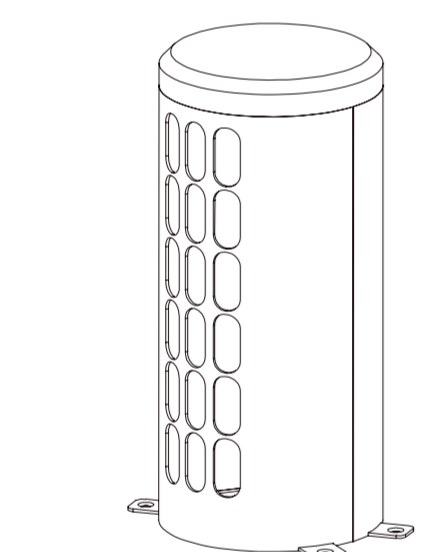
3. MAINTENANCE METHOD



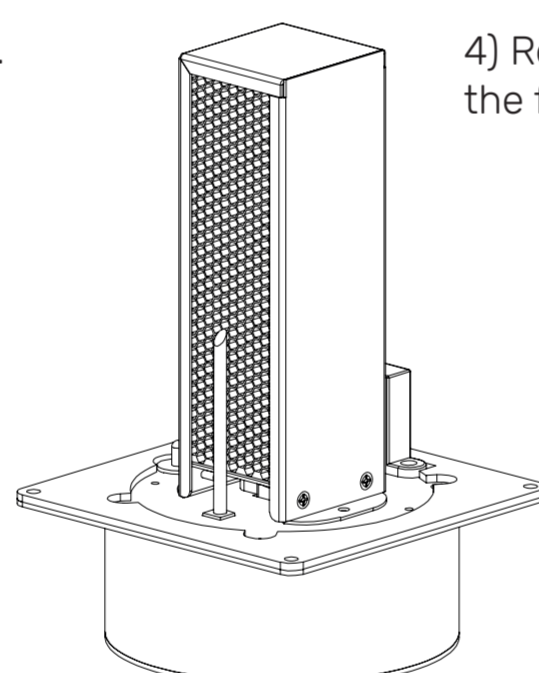
1) Remove the module from the mounting plate.



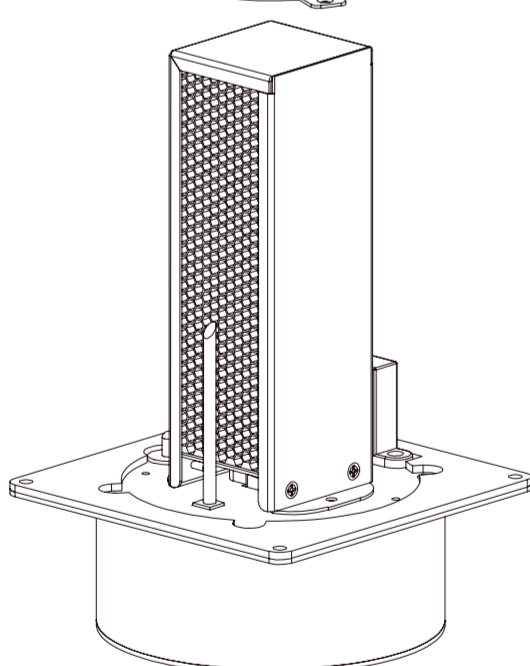
2) Remove the four screws attached to the top of the module.



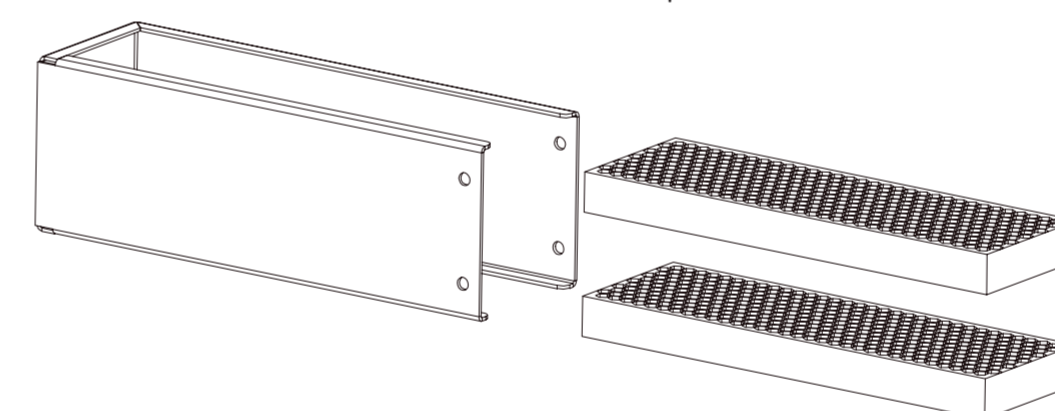
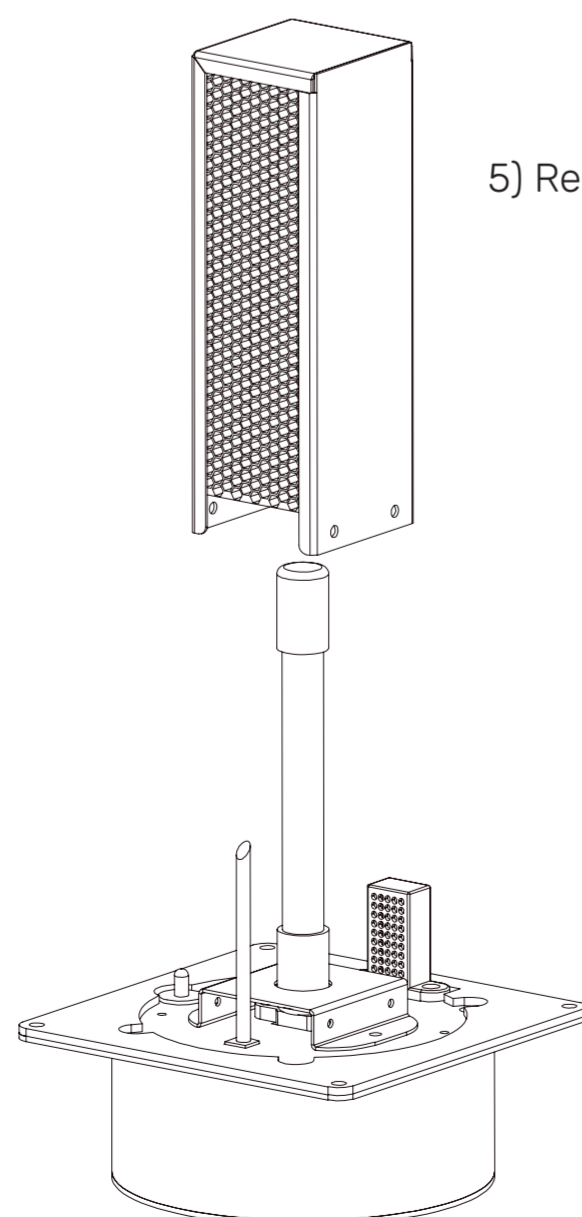
3) Remove the upper shell.



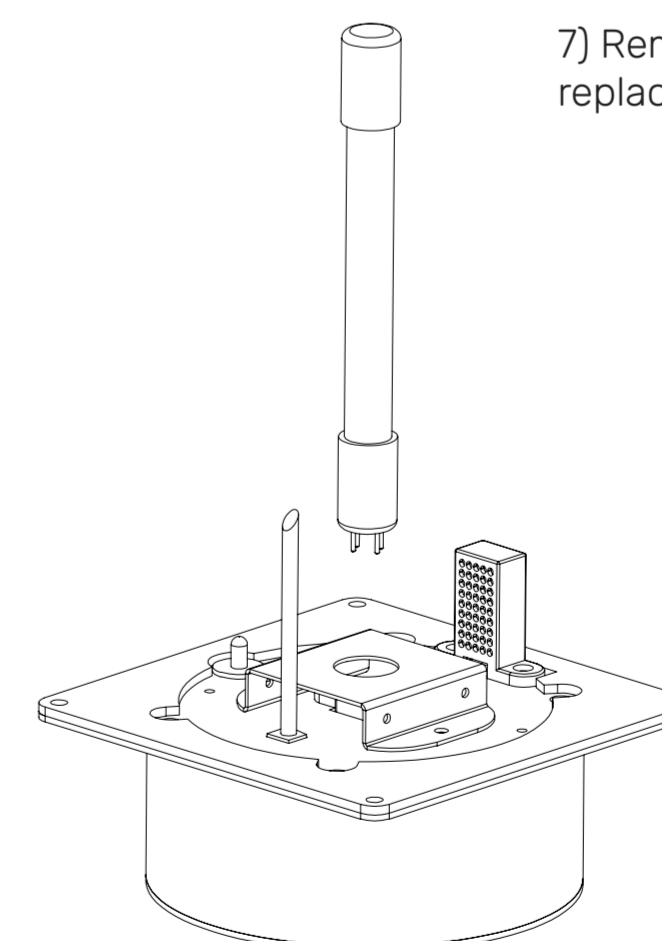
4) Remove the four screws from the filter mounting plate.



5) Remove the filter mounting plate.



6) Remove the filter plates and replace them with new ones.



7) Remove the UV lamp and replace it with a new one.

GPS Monaco Group SAM
5 Rue du Gabian - Le Triton Building,
5th Floor, 98000 - Monaco.

sav@gps-group.fr



Made in China
Distributed by GPS Monaco Group SAM

www.MonaAir.com