



USER MANUAL

MonaAir

English / Anglais

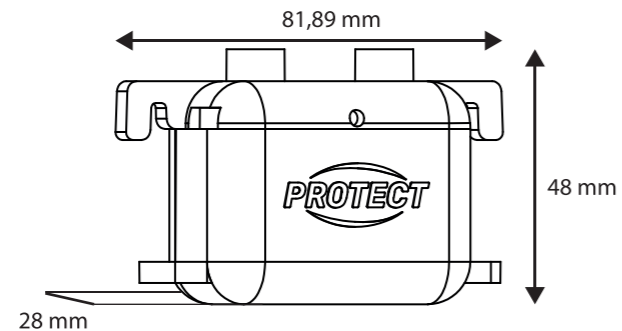
GPS Monaco Group SAM  
5 Rue du Gabian – Bâtiment Le Triton  
5e étage, 98000 – Monaco  
sav@gps-group.fr



Made in China  
Distributed by : GPS Monaco Group SAM

www.MonaAir.com

### 1. PRODUCT PRESENTATION



### 2. TECHNICAL DATA

**Read the instruction manual carefully, as it contains important safety informations about installation.**

**Size :** (BxHxP) : 5,6 x 4,8 x 2,8cm  
**Weight :** 120g  
**Appropriate airflow :** 1000m<sup>3</sup>/h  
**Power supply :** AC 220V  
**Power consumption :** 1,6 W  
**Electric cable :** 1m50

Note : A fuse is built into the device to protect it from overvoltages.

### 3. GENERAL SAFETY NOTE

Before installing the device, on the air conditioning system, please check the following points :

- Make sure the brush tips are no closer than 2 cm to any metal surface to avoid arcing.
- Do not install the ionizer on the same circuit as a UV lamp or connect to the same transformer as a UV lamp.
- The installer must provide a properly grounded power source in accordance with local codes.

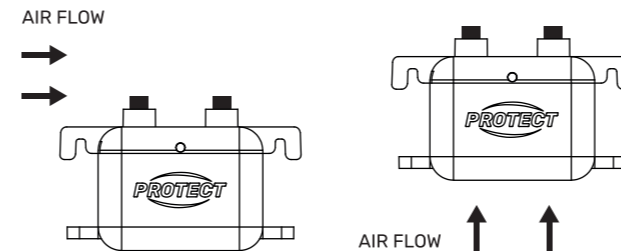
- For best results, the ionizer must be plugged into an air conditioning system in order to be coupled to the power of a fan

### 4. INSTALLATION

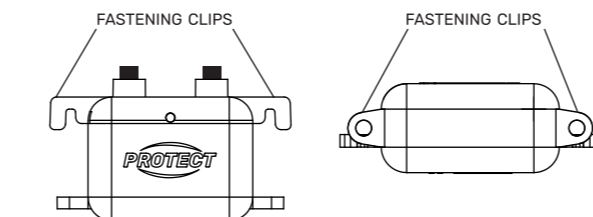
**WARNING : switch off the power supply during the entire installation of the module !**

1. Remove the box from its packaging. Check that the brushes are not covered with dust. If so, clean them (ref: Maintenance).
2. Place the module at or near the fan inlet or air outlet. The device must be placed in such a way that the air flow passes over both brushes at the same time.

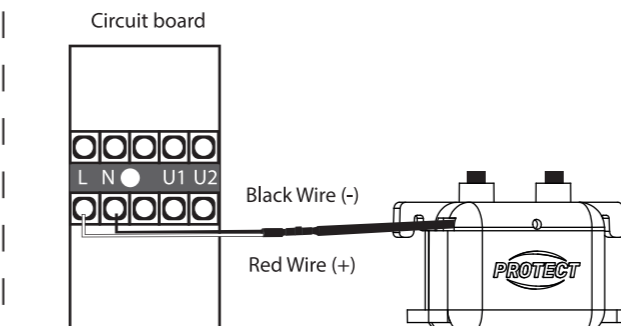
### 3. GENERAL SAFETY NOTE



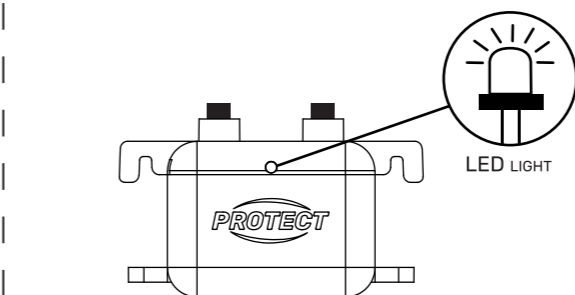
3. Secure the module using the four hooks at the ends of the device.



4. Connect the device to the indoor unit (figure below) respecting the appropriate voltage for the module. Thus the device connected to the unit will be triggered when the air conditioning system is on.



5. When the device is plugged in, check that the green light is on. To do this, turn on the air conditioning system, to check that the green warning light is switched on. If the light is on, this indicates that the module is working correctly.



### 5. TROUBLESHOOTING

**WARNING : disconnect the module from the power supply before handling it !**

If the ionizer does not work :

1. Check the supply fan is on and the green LED lights on.
2. At the box, check the power input connections are properly connected and tight. Reconnect any loose wires if necessary.

### 6. MAINTENANCE

The Protect requires little maintenance. Check the device every 6 months. Inspect the module brushes for dirt. If the carbon fiber brushes get dirty, the instructions below explain how to clean the device:

1. Disconnect the power.
2. Remove any dust that has accumulated on the bristles of the brushes with compressed air or a small brush. Avoid brushes with metal bristles as they may damage the bristles.
3. Reconnect power.

Inspect the LED light for dirt which may make the light difficult to see. If there is dirt, wipe the LED with a small alcohol wipe.